



HIGH PRESSURE RUGGEDIZED DYNAMIC RESPONSE PRESSURE TRANSDUCER

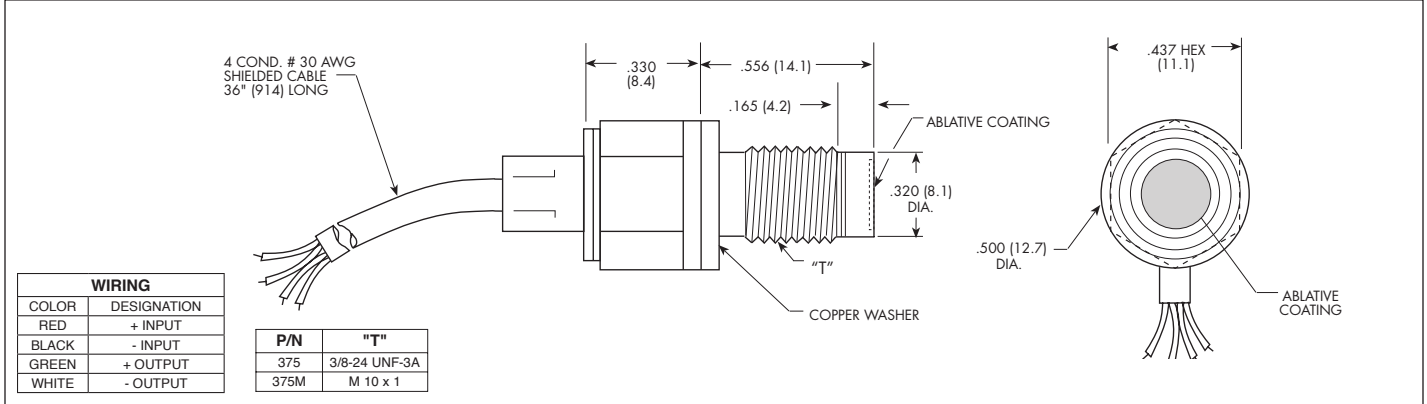
HKS-11HP-375 (M) SERIES

- Low Impedance High Output
- Very High Natural Frequency
- Excellent Signal To Noise Ratio
- Silicon on Silicon Integrated Sensor **VIS®**
- Designed For Shock Pressure Applications

Designed for high pressure, high shock environments, this range of transducers is widely used in shock pressure applications.



Kulite recommends the **KSC Series** of signal conditioners to maximize the measurement capability of the HKS-11HP-375 transducer.



	35	70	140	350	700	1400	2100 BAR
INPUT	500	1000	2000	5000	10000	20000	30000 PSI
Pressure Range							
Operational Mode	Sealed Gage						
Over Pressure	70	100	210	510	1000	1700	2450 BAR
	1000	1500	3000	7500	15000	25000	35000 PSI
Burst Pressure	140	210	420	840	1400	2100	2800 BAR
	2000	3000	6000	12000	20000	30000	40000 PSI
Pressure Media	Any Liquid or Gas Compatible With 15-5 PH, 316 Stainless Steel and Silicone RTV and Copper Crush Ring						
Rated Electrical Excitation	10 VDC/AC						
Maximum Electrical Excitation	12 VDC/AC						
Input Impedance	1000 Ohms (Min.)						
Output Impedance	1000 Ohms (Nom.)						
Full Scale Output (FSO)	100mV (Nom.)						75mV (Nom.)
Residual Unbalance	± 5 mV (Typ.)						
Combined Non-Linearity, Hysteresis and Repeatability	± 0.1% FSO BFSL (Typ.) ± 0.5% FSO (Max.)						
Resolution	Infinitesimal						
Natural Frequency of Sensor Without RTV (KHz) (Typ.)	400	720	900	1120	1350	1600	1800
Acceleration Sensitivity % FS/g Perpendicular	1.1x10 ⁻⁴	6.2x10 ⁻⁵	2.7x10 ⁻⁵	1.5x10 ⁻⁵	1.3x10 ⁻⁵	8.6x10 ⁻⁶	6.0x10 ⁻⁶
Insulation Resistance	100 Megohm Min. @ 50 VDC						
ENVIRONMENTAL	-65°F to +300°F (-55°C to +150°C)						
Operating Temperature Range	80°F to +180°F (25°C to +80°C) Any 100°F Range Within The Operating Range on Request						
Compensated Temperature Range	2% FS/100°F (Typ.)						
Thermal Zero Shift	2% /100°F (Typ.)						
Thermal Sensitivity Shift	10-2,000 Hz Sine, 100g. (Max.)						
Linear Vibration	20g half Sine Wave 11 msec. Duration						
Mechanical Shock	4 Conductor 30 AWG Shielded Cable 36" Long						
Electrical Connection	10 Grams (Nom.) Excluding Cable and Amplifier						
Weight	Fully Active Four Arm Wheatstone Bridge Dielectrically Isolated Silicon on Silicon						
Pressure Sensing Principle	80-120 Inch-Pounds (Max.)						
Mounting Torque	Ablative Coating Standard						
Diaphragm Coating							
PHYSICAL							

Note: Custom pressure ranges, accuracies and mechanical configurations available. Dimensions are in inches. Dimensions in parenthesis are in millimeters. All dimensions nominal. (P) Continuous development and refinement of our products may result in specification changes without notice. Copyright © 2014 Kulite Semiconductor Products, Inc. All Rights Reserved. Kulite miniature pressure transducers are intended for use in test and research and development programs and are not necessarily designed to be used in production applications. For products designed to be used in production programs, please consult the factory.